

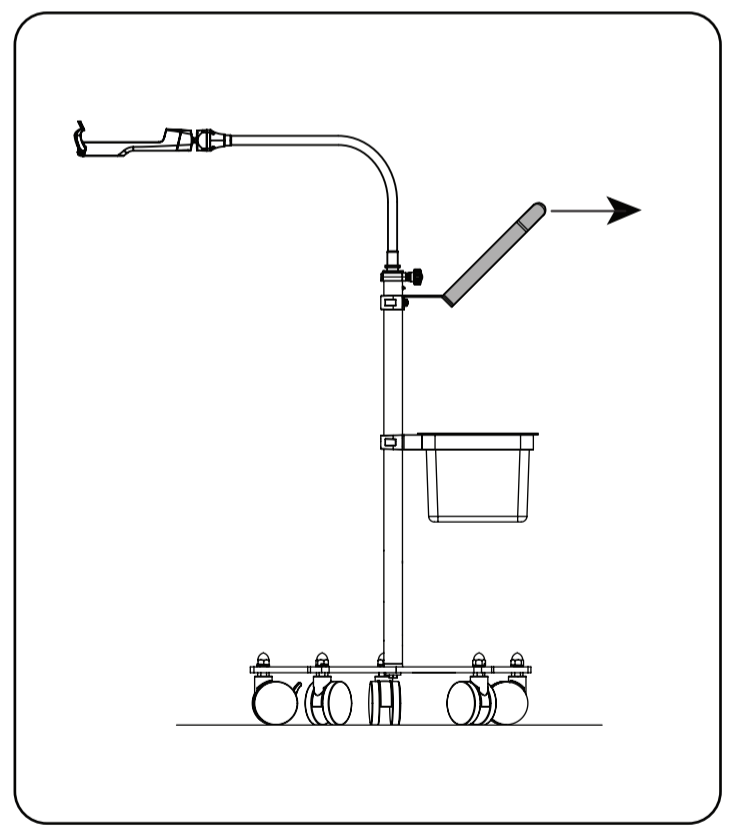
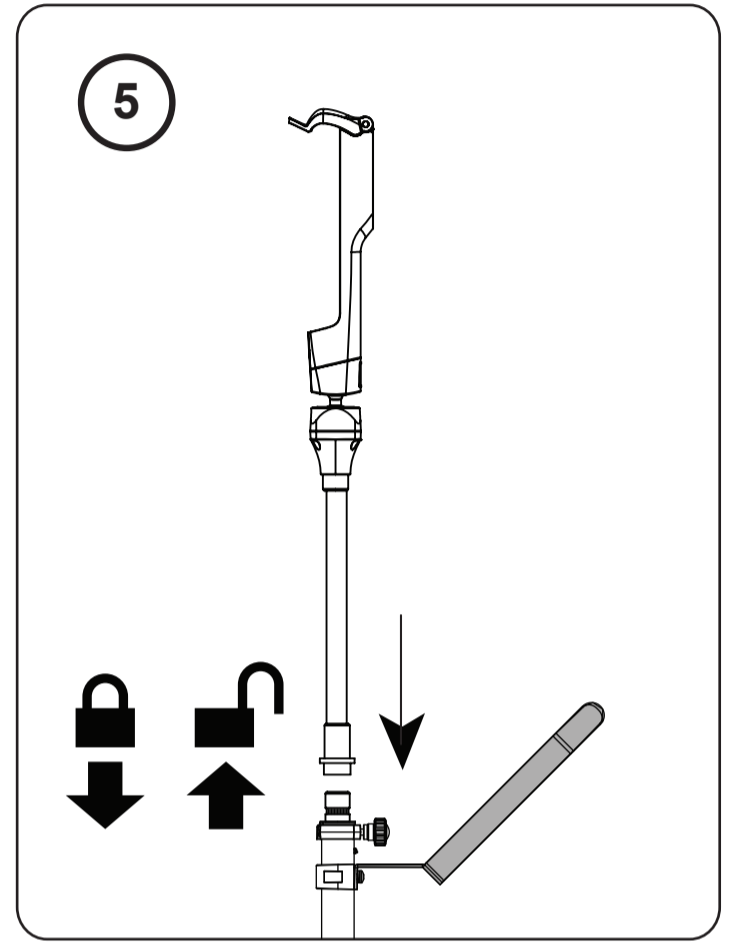
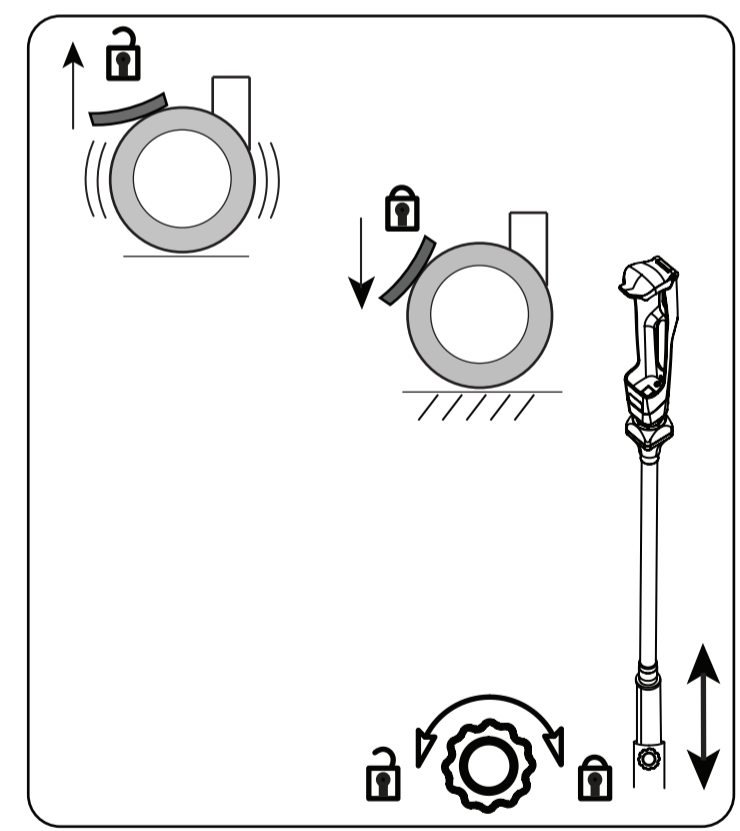
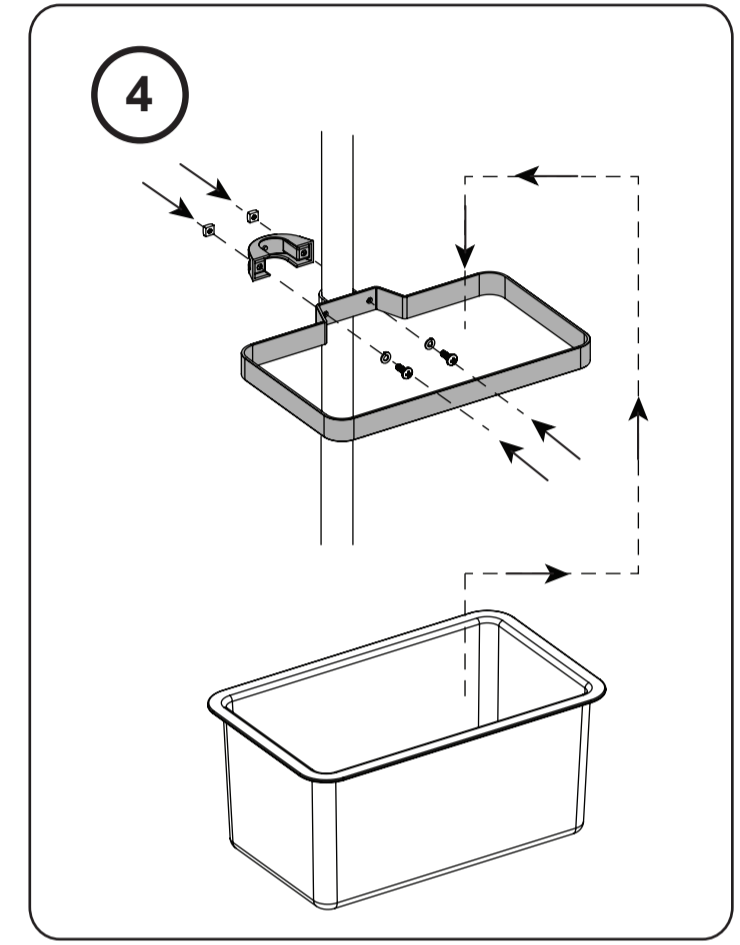
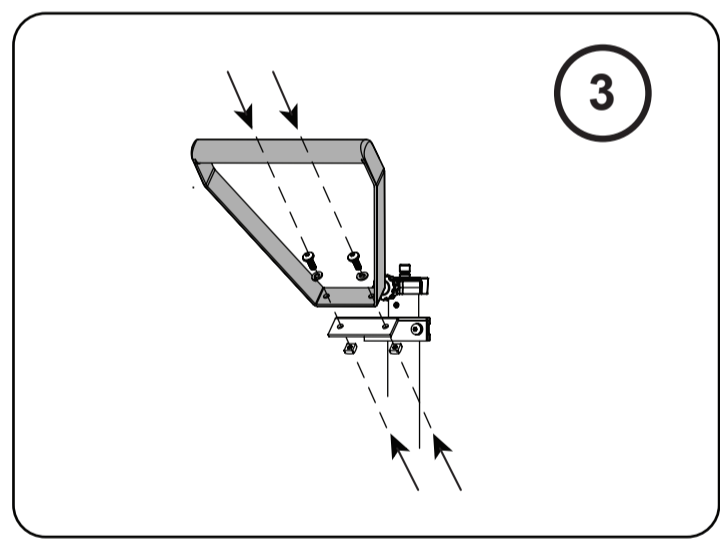
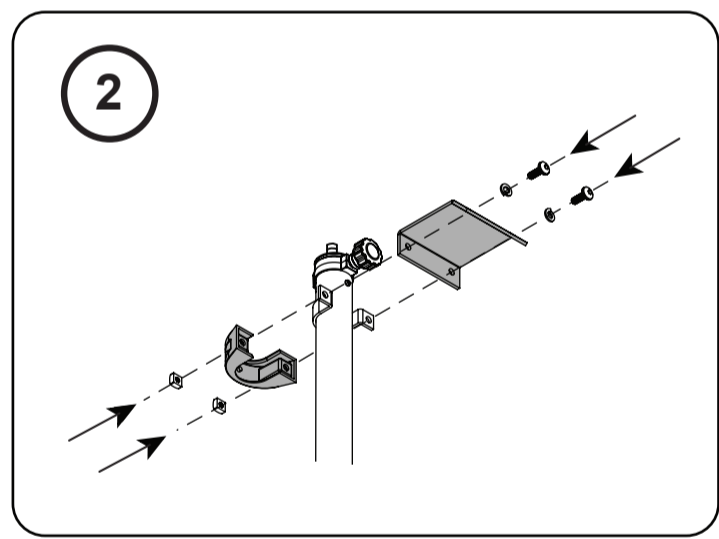
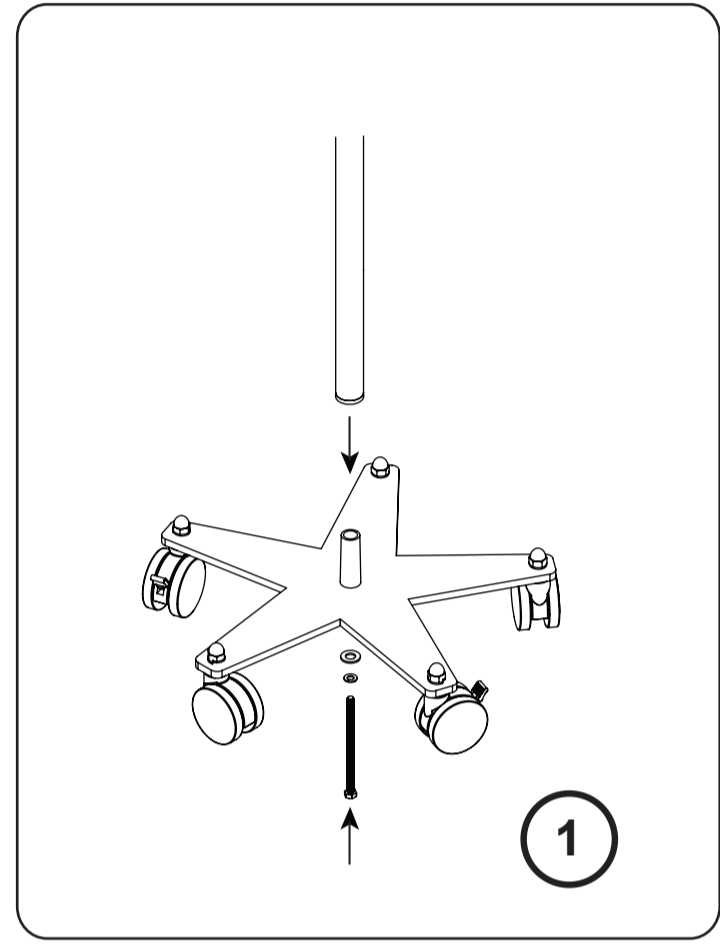
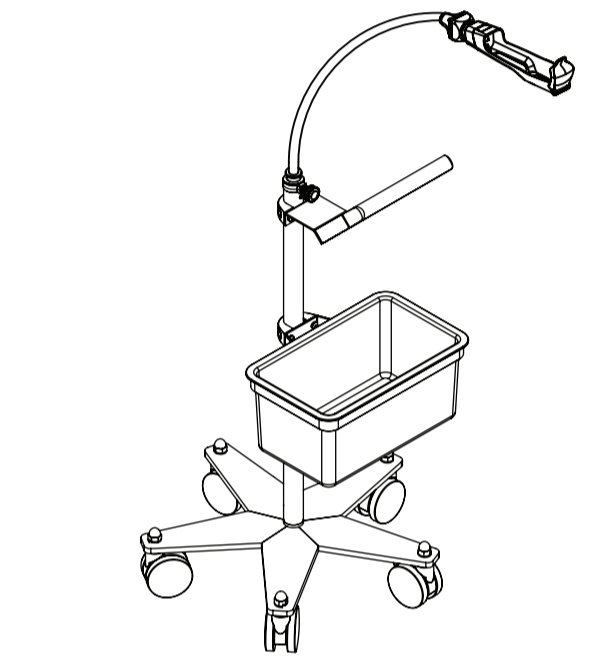
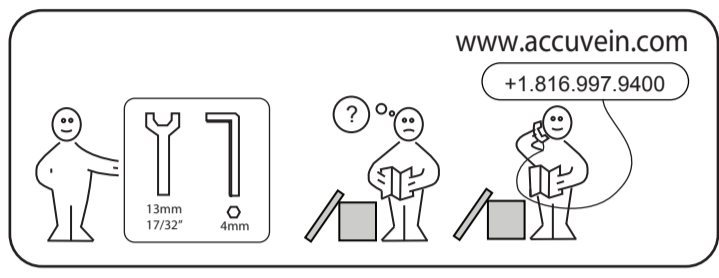
REVISIONS				
REV	ECO	DESCRIPTION	DATE	APPROVED
A	CO-000735	INITIAL RELEASE	APR 7, 2015	MH

AccuVein

HF450

AccuVein

HF450



ACCUVEIN INC.
 40 Goose Hill Road
 Cold Spring Harbor
 New York 11724 USA
 Phone: 816.997.9400
 775-00025 Rev A
 April 7, 2015

CE **EC** **REP** EMERGO EUROPE
 Molenstraat 15
 2513 BH, The Hague
 The Netherlands

Conforms to AAMI Std E560601-1; Certified to CSA Std C22.2 No. 60601-1

Notes: Print double sided
 Material: 8.5" x 11" or Nearest Approved Metric Equivalent: Matte white.
 ROHS Compliance: Parts/Assemblies must comply with the requirements for the European Union directive for the Restriction of Hazardous Substances.

THE CONTENT OF THIS DOCUMENT IS THE PROPERTY OF ACCUVEIN INC. IT IS TO BE USED ONLY FOR PURPOSES EXPLICITLY DIRECTED BY ACCUVEIN INC. THIS DOCUMENT MAY NOT BE REPRODUCED, NOR DISCLOSED, WITHOUT WRITTEN AUTHORIZATION FROM ACCUVEIN INC.				
DIMENSIONS ARE IN MM (INCHES)		DO NOT SCALE DRAWING		
MAT'L	SEE NOTES	TOLERANCES (UNLESS SPECIFIED)		 <small>AccuVein Inc. 40 Goose Hill Road Cold Spring Harbor, NY 11724 U.S.A. P: 631.367.0394</small>
FINISH	SEE NOTES	SEE NOTES		
DESIGN BY	MH	MODEL ID		HF450-02 Manual
APPROVED BY	MH	DWG NO.		775-00025
THIRD ANGLE PROJECTION		CONTRACT #		REV A
CAGE #	SCALE 4:1	SHEET 1 OF 1		SIZE A2