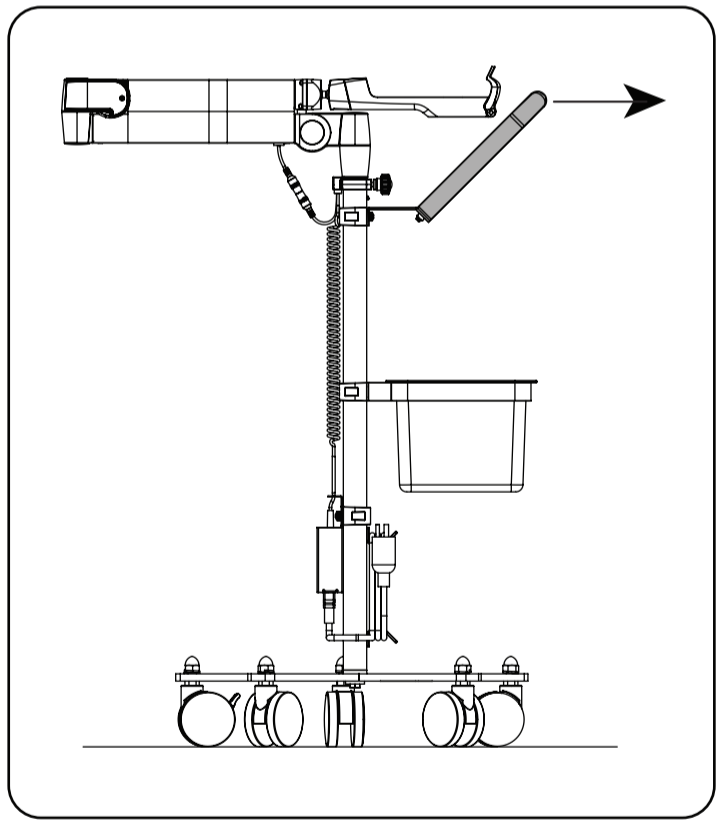
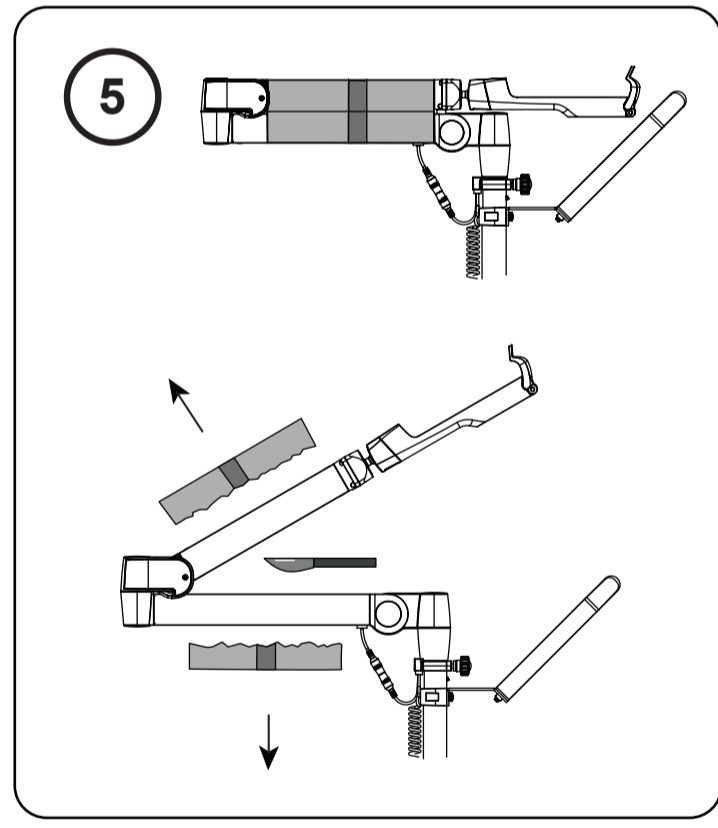
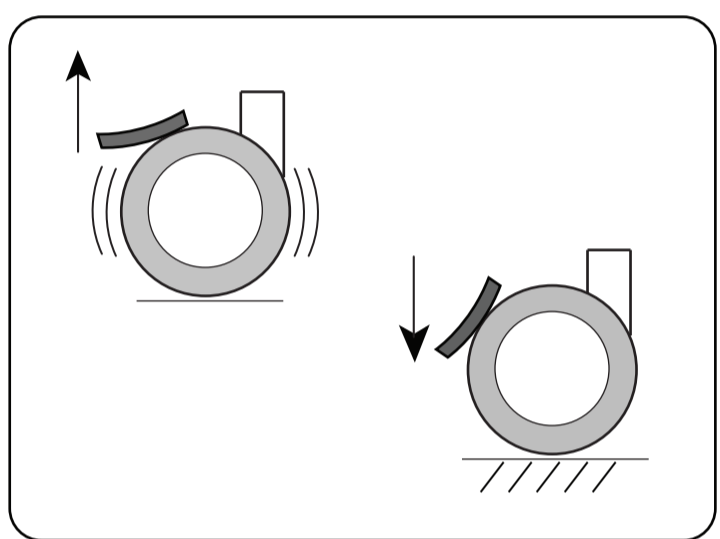
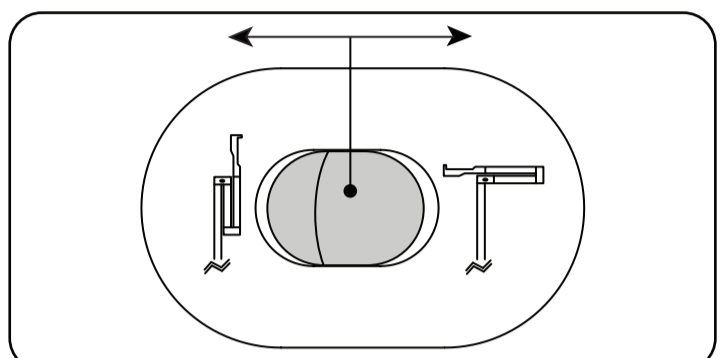
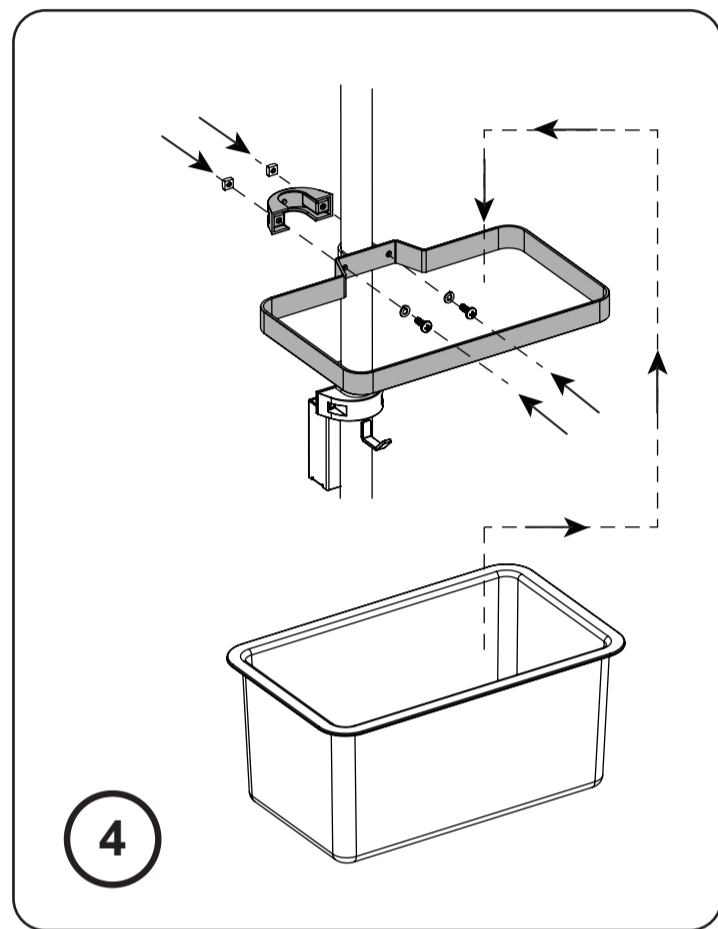
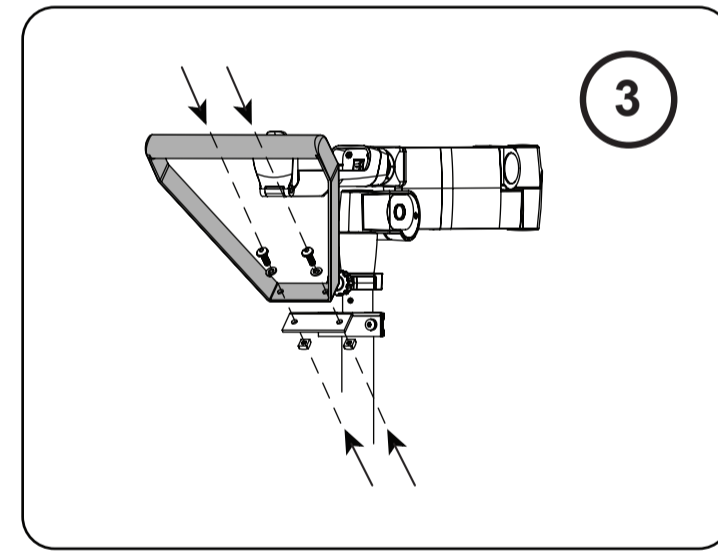
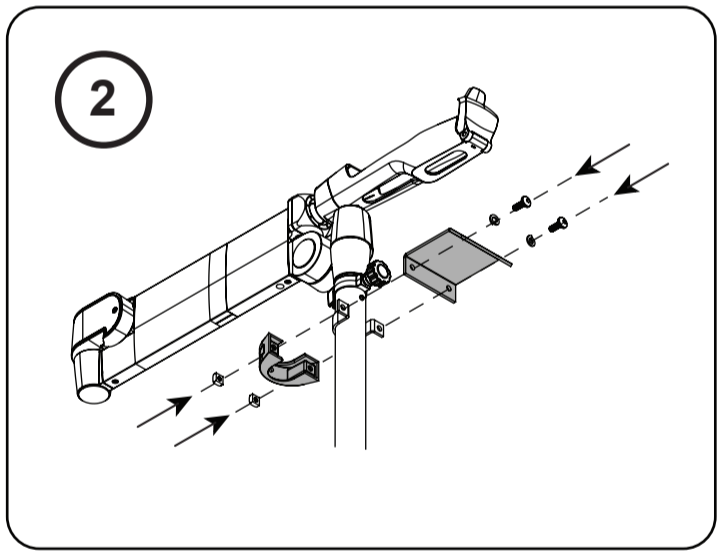
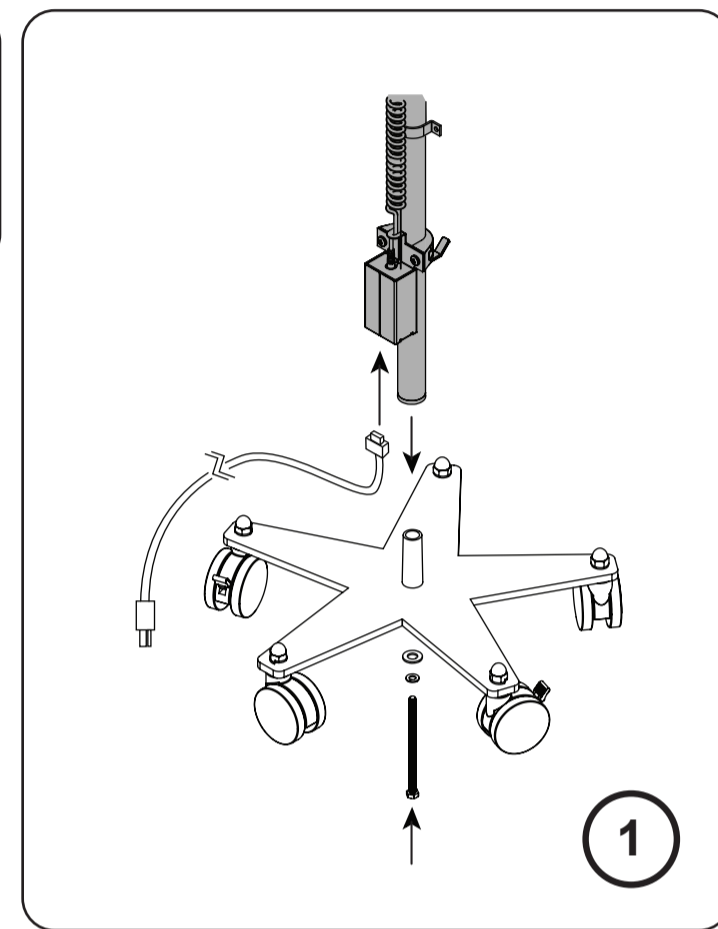
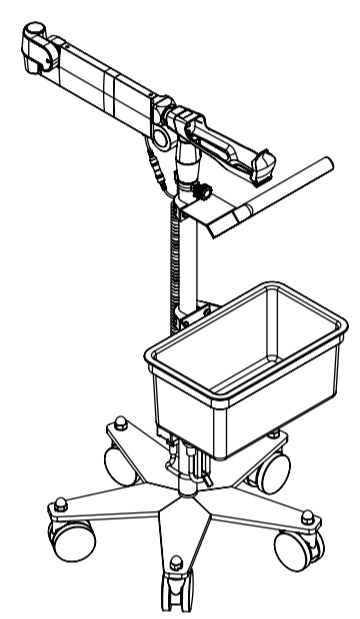
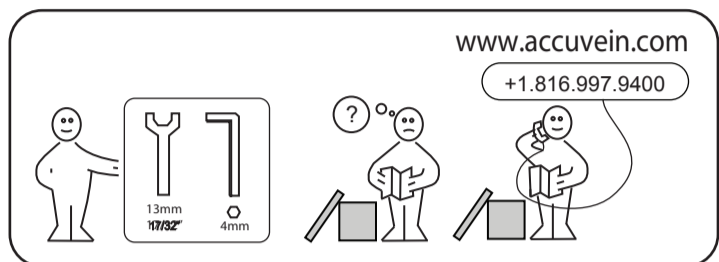


REV B
775-00001
DWG NO.

REVISIONS				
REV	ECO	DESCRIPTION	DATE	APPROVED
A	See Arena	REVIEW	APR 4, 2013	JAZ
B	See Arena	ADDED HANDLE EXTENSION	OCT 21, 2013	EES

AccuVein

HF470



ACCUVEIN INC.
40 Goose Hill Road
Cold Spring Harbor
New York 11724 USA
Phone: 816.997.9400
Manufactured in Taiwan for AccuVein Inc.

775-00001 Rev B
Sep. 27, 2013

CE **EC** **REP** EMERGO EUROPE
Molenstraat 15
2513 BH, The Hague
The Netherlands
Phone: +31.70.345.857
Fax: +31.70.346.729

Conforms to AAMI Std E560601-1; Certified to CSA Std C22.2 No. 60601-1

Notes:

Material: 11"x17" or Nearest Approved Metric Equivalent: Matte white.

ROHS Compliance: Parts/Assemblies must comply with the requirements for the European Union directive for the Restriction of Hazardous Substances.

THE CONTENT OF THIS DOCUMENT IS THE PROPERTY OF ACCUVEIN INC. IT IS TO BE USED ONLY FOR PURPOSES EXPLICITLY DIRECTED BY ACCUVEIN INC. THIS DOCUMENT MAY NOT BE REPRODUCED, NOR DISCLOSED, WITHOUT WRITTEN AUTHORIZATION FROM ACCUVEIN INC.				
DIMENSIONS ARE IN MM (INCHES)		DO NOT SCALE DRAWING		
MAT'L	SEE NOTES	TOLERANCES (UNLESS SPECIFIED)		 <small>AccuVein Inc. 40 Goose Hill Road Cold Spring Harbor, NY 11724 U.S.A. P: 631.367.0394</small>
FINISH	SEE NOTES	SEE NOTES		
DESIGN BY	EES	4/3/2013	TITLE MANUAL, HF470	
APPROVED BY	JAZ	4/3/2013	MODEL ID	
THIRD ANGLE PROJECTION			DWG NO.	775-00001
			CONTRACT #	
			CAGE #	
			SCALE	4:1
			SHEET	1 OF 1
			REV	B
			SIZE	A2