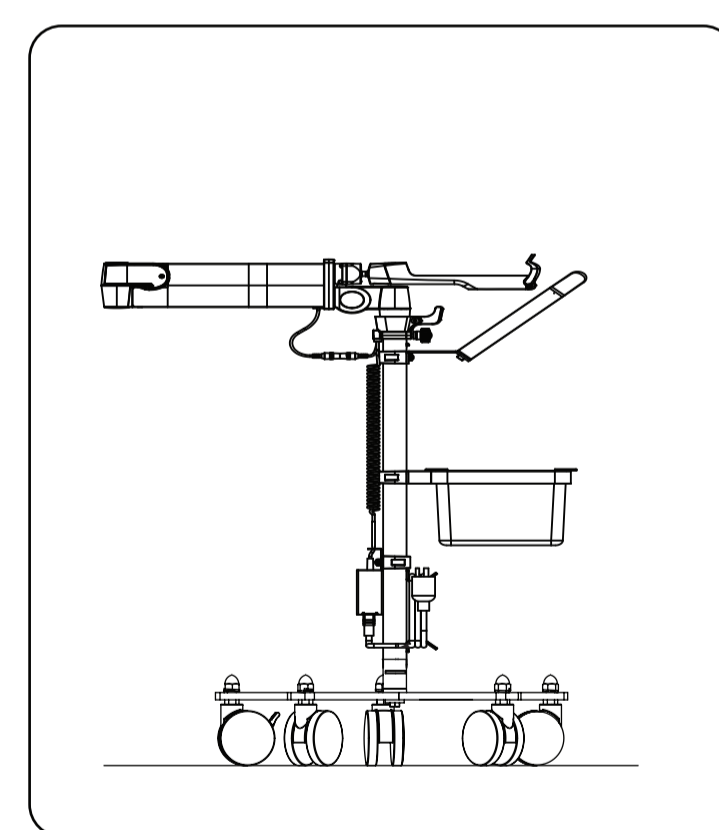
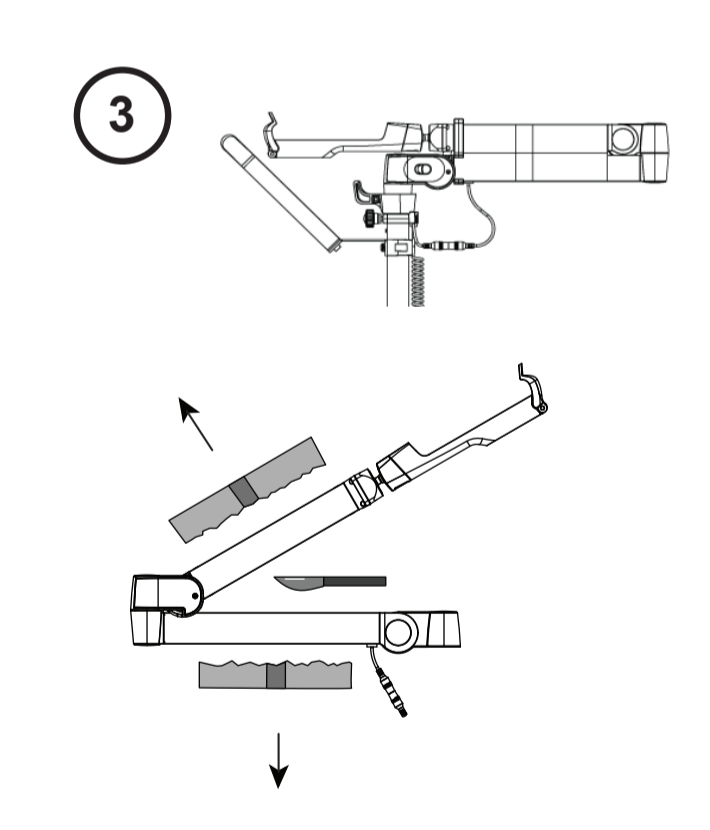
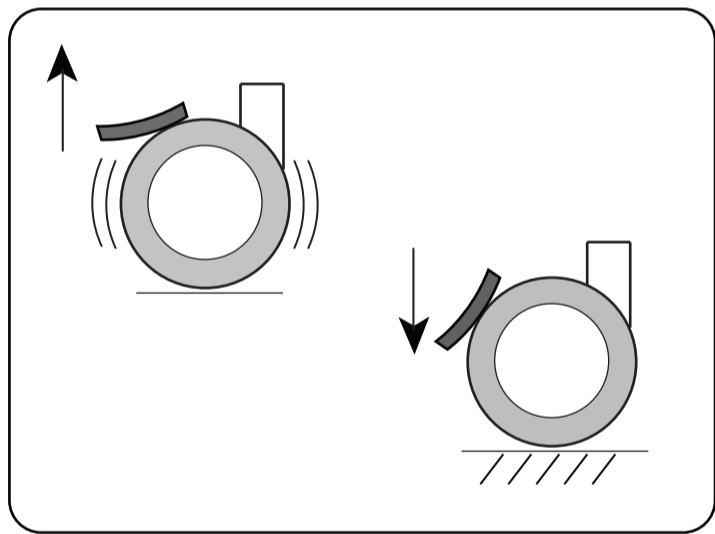
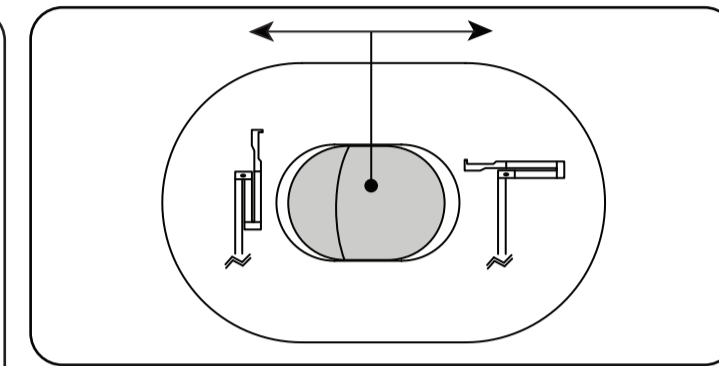
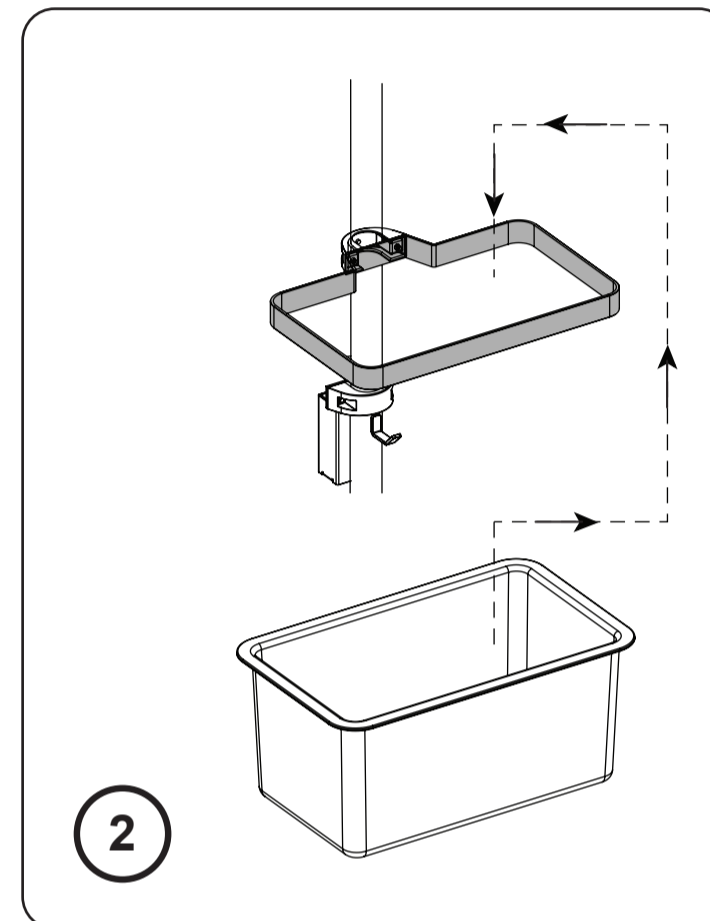
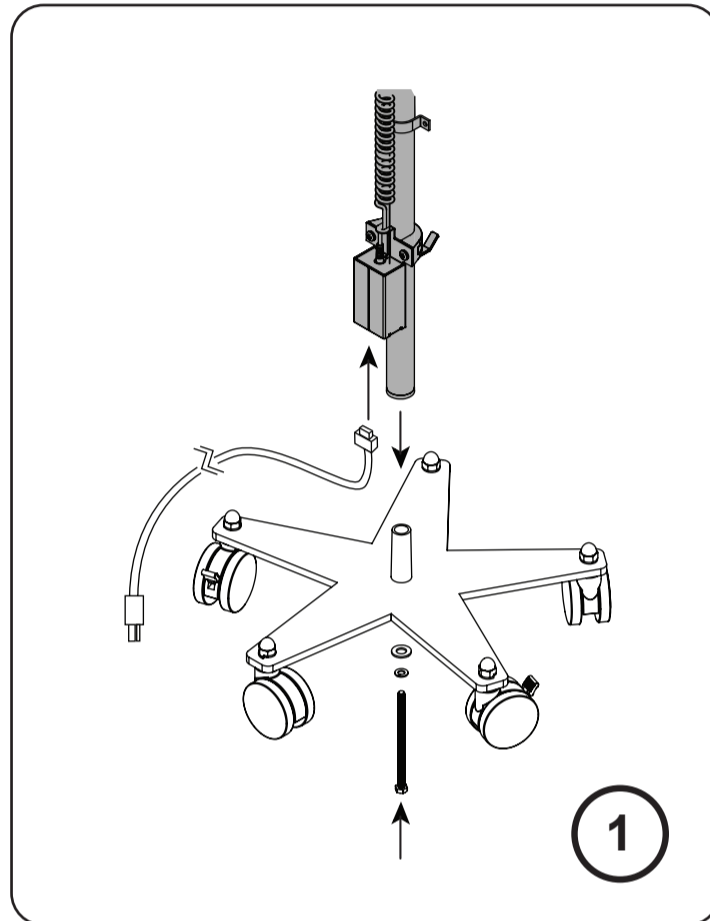
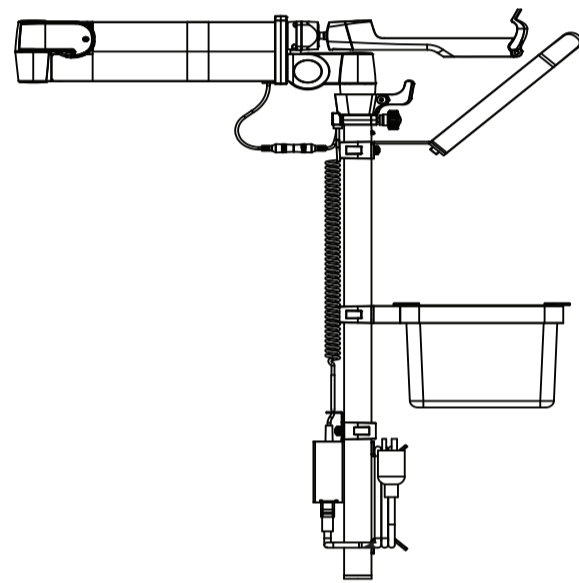
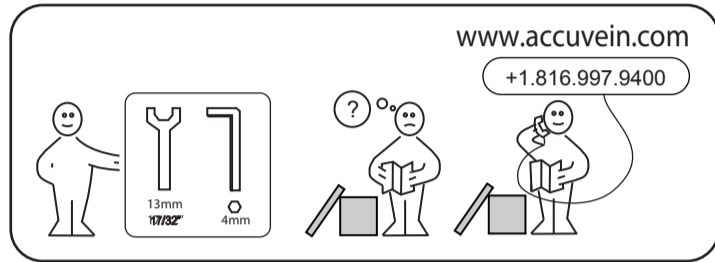


REV A
 DWG NO. 745-00039

REVISIONS				
REV	ECO	DESCRIPTION	DATE	APPROVED
A	SEE ARENA	UPDATED FOR HF570 PRODUCT	08 NOV 2018	JZ



HF570



ACCUVEIN INC.
 AccuVein Inc.
 3243 Route 112
 Building 1, Suite 2
 Medford, NY 11723 USA
 Manufactured in Taiwan for AccuVein Inc.

745-00039 Rev A



Conforms to AAMI Std ES60601-1; Certified to CSA Std C22.2 No. 60601-1



EMERGO EUROPE
 Prinsessegracht 20
 2514 AP, The Hague
 The Netherlands

Notes: Print double sided
 Material: 8.5" x 11" or Nearest Approved Metric Equivalent: Matte white.
 ROHS Compliance: Parts/Assemblies must comply with the requirements for the European Union directive for the Restriction of Hazardous Substances.

THE CONTENT OF THIS DOCUMENT IS THE PROPERTY OF ACCUVEIN INC. IT IS TO BE USED ONLY FOR PURPOSES EXPLICITLY DIRECTED BY ACCUVEIN INC. THIS DOCUMENT MAY NOT BE REPRODUCED, NOR DISCLOSED, WITHOUT WRITTEN AUTHORIZATION FROM ACCUVEIN INC.				
DIMENSIONS ARE IN MM (INCHES)		DO NOT SCALE DRAWING		
MAT'L	SEE NOTES	TOLERANCES (UNLESS SPECIFIED)		 <small>AccuVein Inc. 40 Goose Hill Road Cold Spring Harbor, NY 11724 U.S.A. P: 631.367.0394</small>
FINISH	SEE NOTES	SEE NOTES		
DESIGN BY	J. STETAK	DATE	11/08/2018	TITLE
APPROVED BY	J. ZOTT	DATE	11/08/2018	MANUAL, HF570
THIRD ANGLE PROJECTION				MODEL ID
				DWG NO.
				745-00039
				REV
				A
				SIZE
				A2
CONTRACT #		SCALE		SHEET
		4:1		1 OF 1