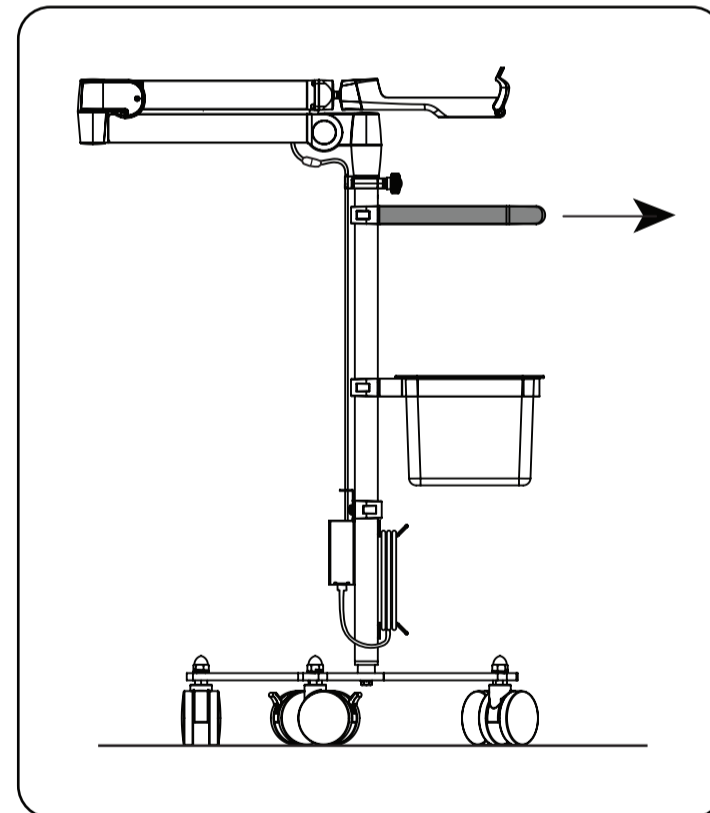
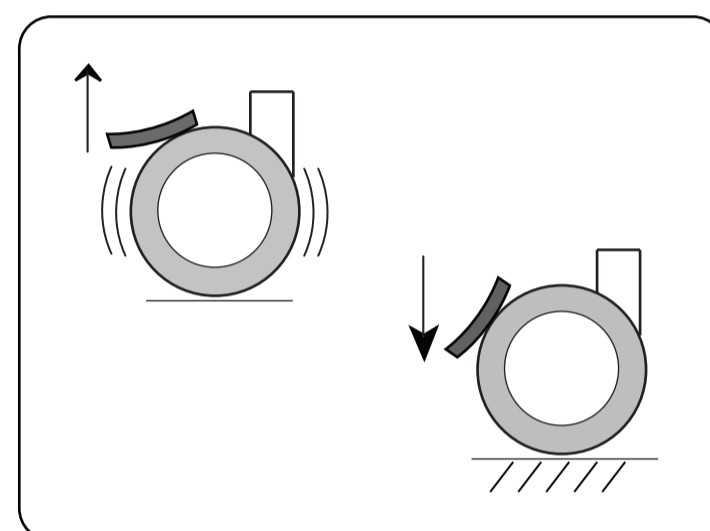
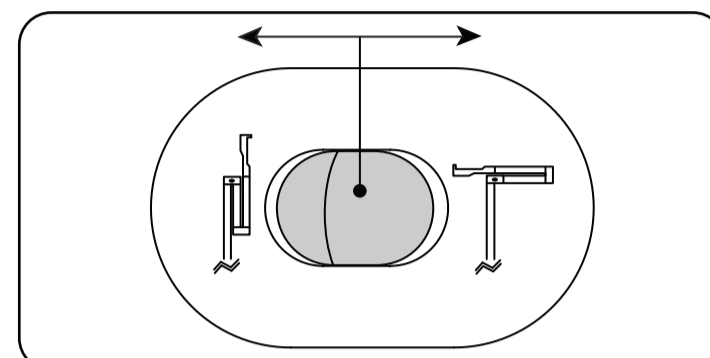
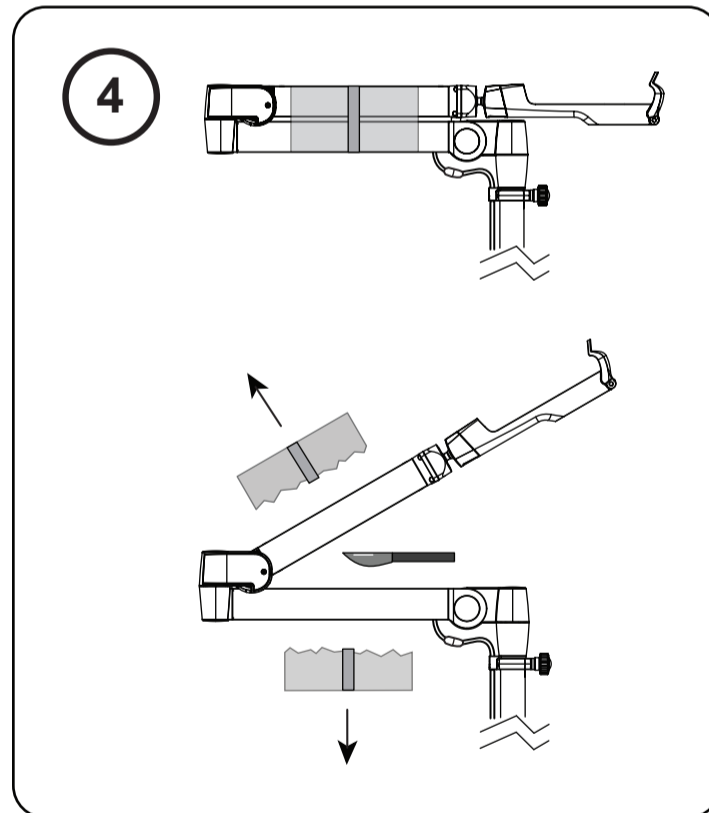
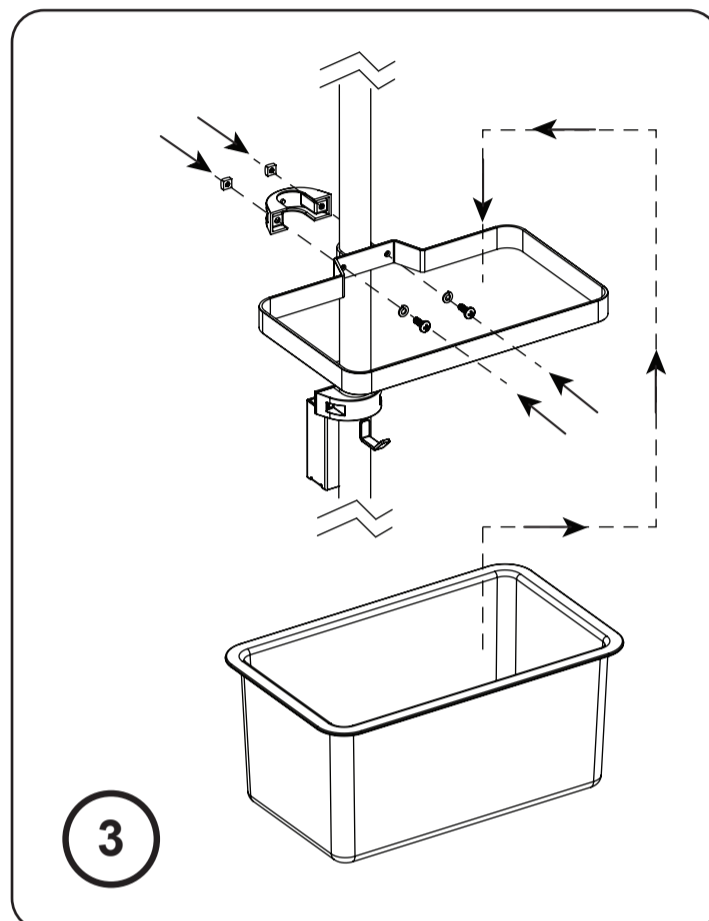
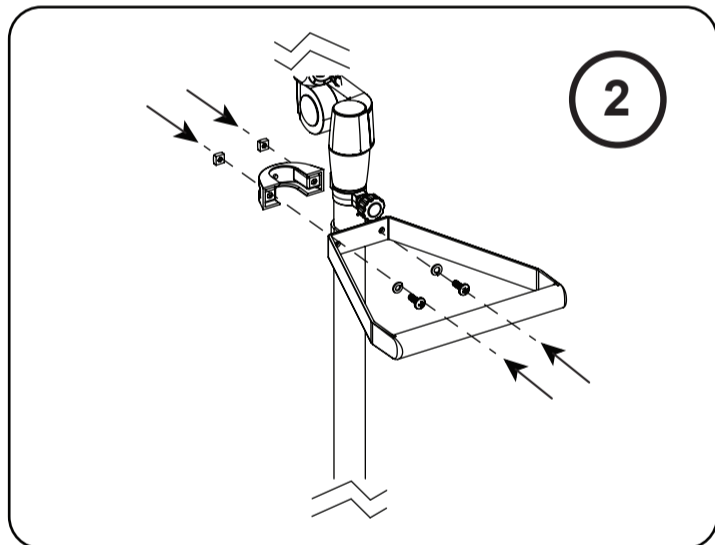
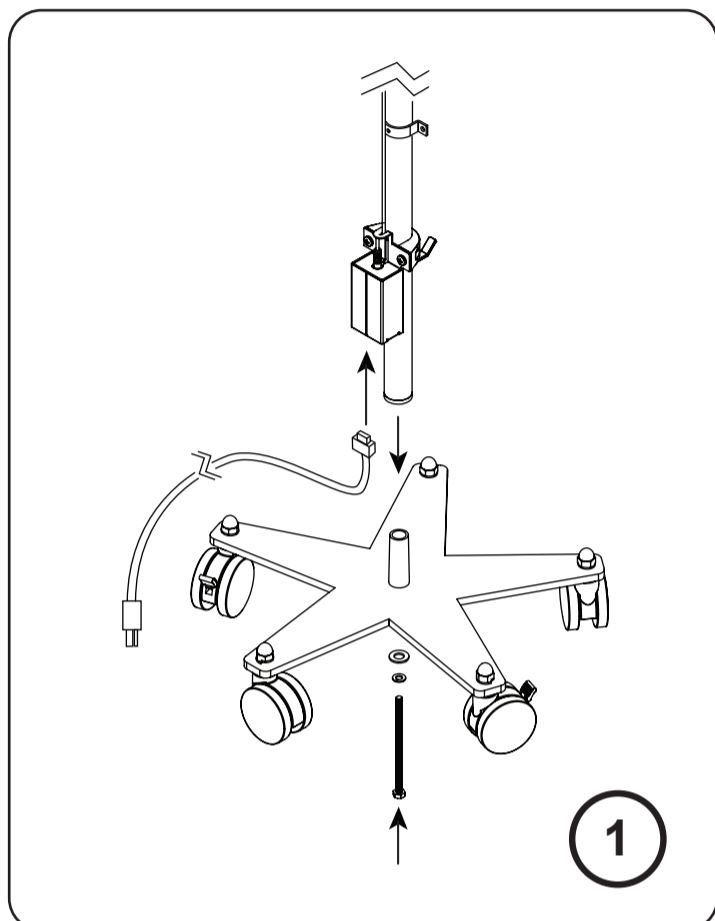
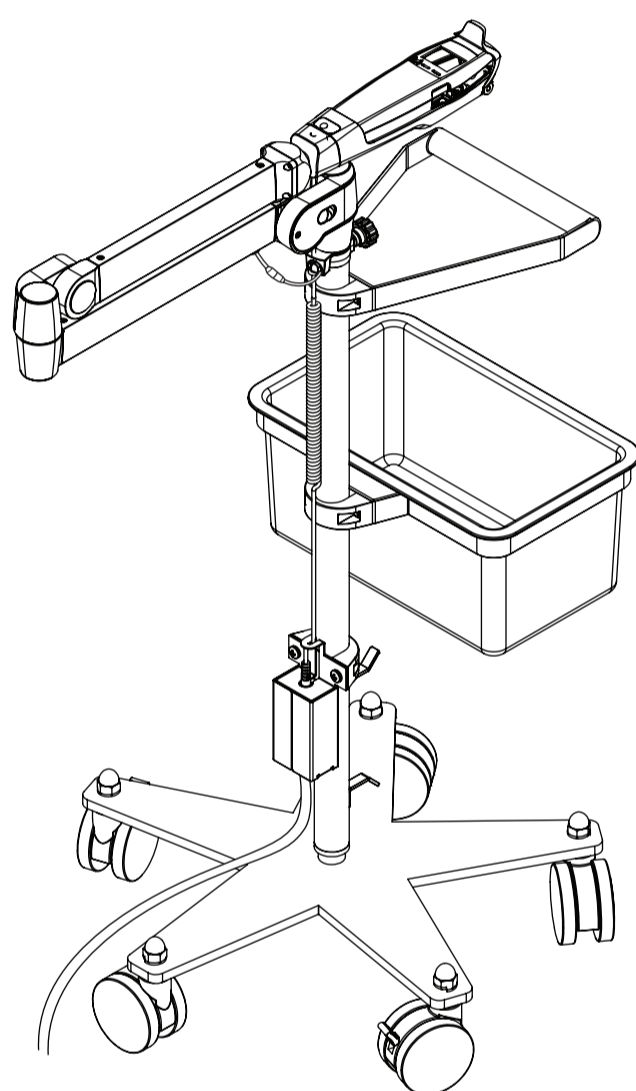
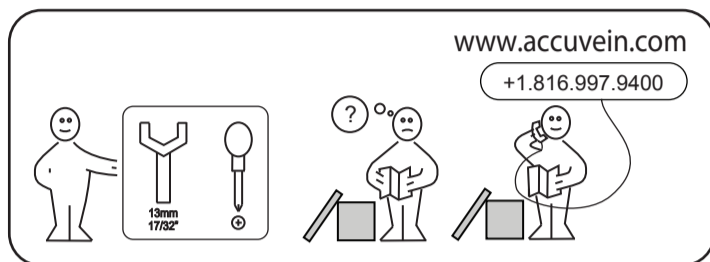


REV A  
775-00001  
DWG NO.

REVISIONS				
REV	ECO	DESCRIPTION	DATE	APPROVED
A	See Arena	REVIEW	APR 4, 2013	JAZ

**AccuVein**

**HF470**



ACCUVEIN INC.  
40 Goose Hill Road  
Cold Spring Harbor  
New York 11724 USA  
Phone: 816.997.9400  
Manufactured in Taiwan for AccuVein Inc.

775-00001 Rev A  
April 4, 2013



EMERGO EUROPE  
Molenstraat 15  
2513 BH, The Hague  
The Netherlands  
Phone: +31.70.345.857  
Fax: +31.70.346.729

Conforms to AAMI Std ES60601-1; Certified to CSA Std C22.2 No. 60601-1

Notes:

Material: 11"x17" or Nearest Approved Metric Equivalent: Matte white.

ROHS Compliance: Parts/Assemblies must comply with the requirements for the European Union directive for the Restriction of Hazardous Substances.

THE CONTENT OF THIS DOCUMENT IS THE PROPERTY OF ACCUVEIN INC. IT IS TO BE USED ONLY FOR PURPOSES EXPLICITLY DIRECTED BY ACCUVEIN INC. THIS DOCUMENT MAY NOT BE REPRODUCED, NOR DISCLOSED, WITHOUT WRITTEN AUTHORIZATION FROM ACCUVEIN INC.				
DIMENSIONS ARE IN MM (INCHES)		DO NOT SCALE DRAWING		 <small>AccuVein Inc. 40 Goose Hill Road Cold Spring Harbor, NY 11724 U.S.A. P: 631.367.0394</small>
MAT'L	SEE NOTES	TOLERANCES (UNLESS SPECIFIED)		
FINISH	SEE NOTES	SEE NOTES		MODEL ID
DESIGN BY	EES 4/3/2013			DWG NO. 775-00001
APPROVED BY	JAZ 4/3/2013			CONTRACT # CAGE #
THIRD ANGLE PROJECTION		SCALE	4:1	SHEET 1 OF 1
				REV A SIZE A2